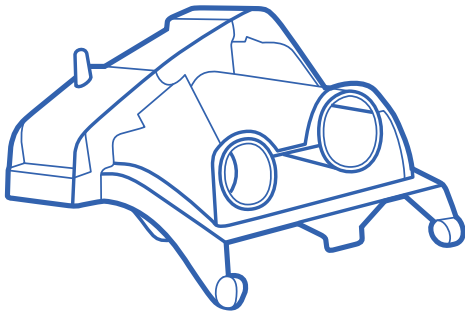




LID ADAPTER FOR USE WITH
RESMED AIRSENSE 10



INSTRUCTIONS

PNA1210-G23

**If you need help connecting
your adapter, contact SoClean.**

For SoClean operation information,
please see the User Manual
provided with the device.

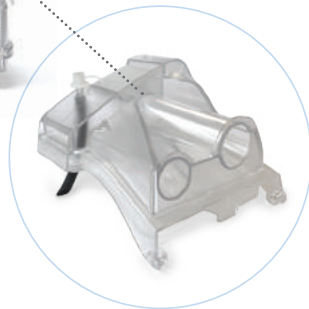
An electronic version of the User
Manual is available at SoClean.com
or you may contact Customer Care.

866-501-3705 | SoClean.com | info@soclean.com

ResMed Airsense 10 Adapter Installation Instructions



SoClean Adapter
[Replaces the reservoir lid]



SoClean is an independent company not affiliated with ResMed. Names and associated trademarks are solely owned by the respective companies and manufacturers. Depictions of brand logos on our website are for informational and educational purposes only and are used for customer equipment recognition. We are not affiliated or endorsed by any sleep equipment manufacturer.

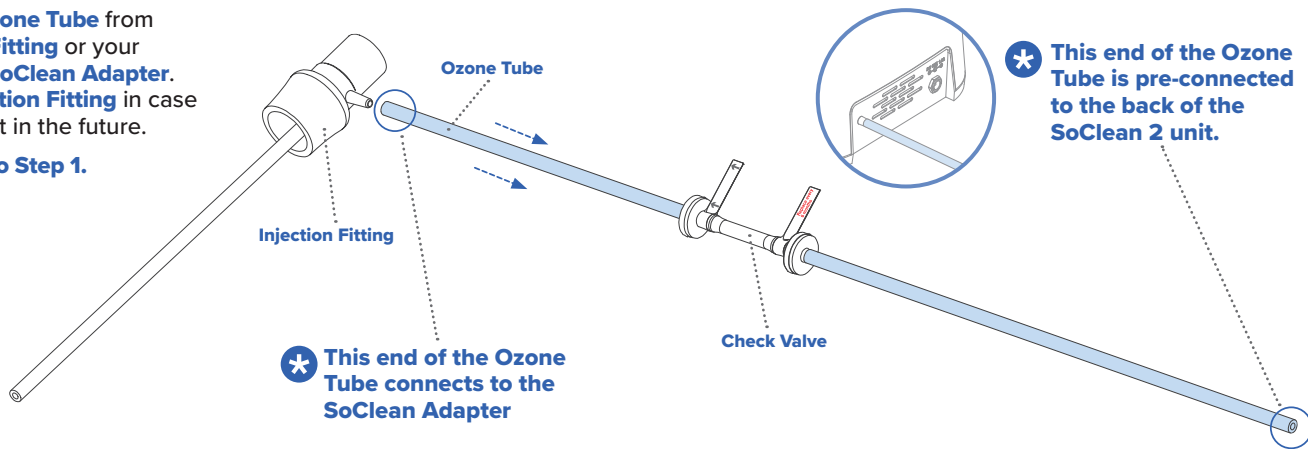
If you are a **SoClean 3** user, move on to **Step 1**.

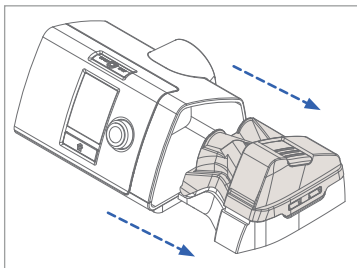


If you are a **SoClean 2** user:

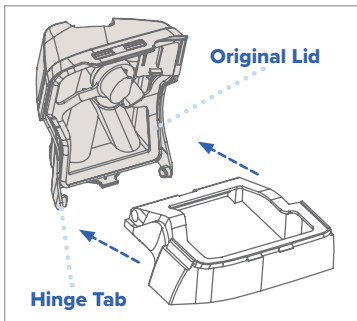
Detach **Ozone Tube** from **Injection Fitting** or your previous **SoClean Adapter**. Save **Injection Fitting** in case you need it in the future.

Move on to Step 1.



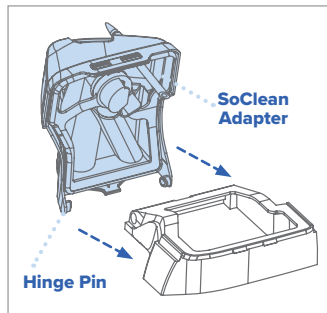


1 Remove the reservoir from the sleep equipment machine.

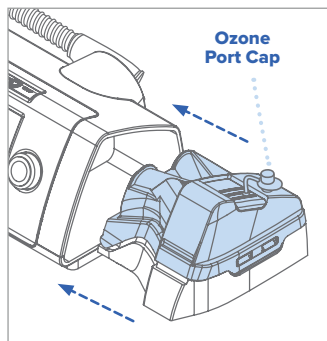


2 Remove the **Original Lid** from the sleep equipment reservoir base by opening the **Original Lid** fully, pushing one side of the hinge tab outward, and freeing the **Original Lid** from the base.

Save the **Original Lid** and **Gasket** in case it is needed in the future.



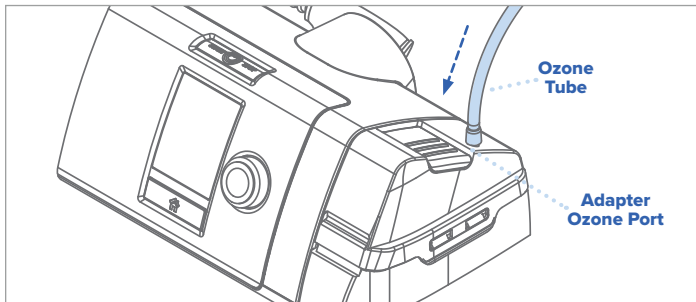
3 Install the **SoClean Adapter** to the reservoir base by inserting the hinge pins into the notches on the reservoir base. If needed, insert one hinge pin at a time and gently flex the **SoClean Adapter** to snap it in place.



4 When using your reservoir, fill with distilled water to the level indicated by the sleep equipment manufacturer. Close the **SoClean Adapter** and insert the reservoir into your sleep equipment unit like you normally would.

5

Uncap the **Adapter Ozone Port**. Connect the **Ozone Tube** to the **SoClean Adapter** by pushing the **Ozone Tube** onto the **Adapter Ozone Port**.



NOTE: The SoClean Adapter can be left connected to your sleep equipment machine after initial setup. You do not need to disconnect the SoClean Adapter to operate either the sleep equipment machine or the SoClean.



WARNING: The **Ozone Tube** should always be connected to the **SoClean Adapter** and the back of the SoClean unit when operating the SoClean.

TRAVELING WITH YOUR SLEEP EQUIPMENT:

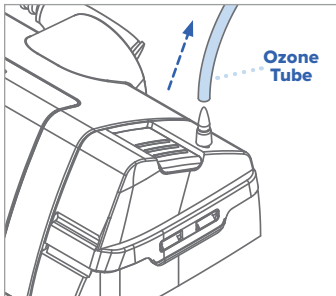
It is not necessary to replace your SoClean Adapter with the original lid.

IMPORTANT: Once the adapter is installed, it is your new permanent lid. If you need to disconnect the SoClean from your adapter for travel, simply disconnect the ozone tube from the adapter and re-cap the ozone port. If you fail to do this, the water in your humidifier will be pushed out through the Adapter Ozone Port and an overflow will result.

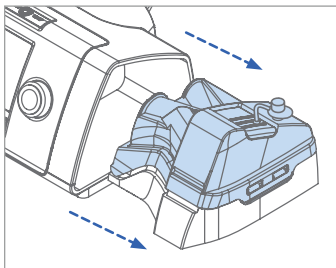


WARNING: Ensure sleep equipment hose and **SoClean Adapter** are connected to the sleep equipment machine prior to operating a SoClean Cycle.

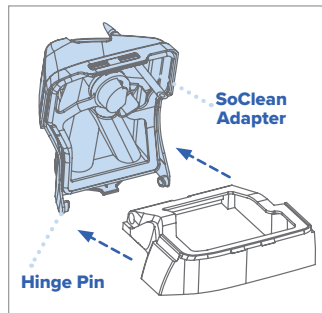
RECONNECTING THE ORIGINAL LID:



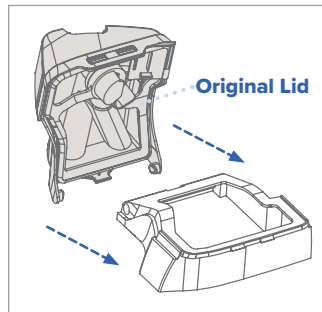
- 1 Remove the **Ozone Tube** that is connected to the stem of the **SoClean Adapter** by firmly pulling it off.



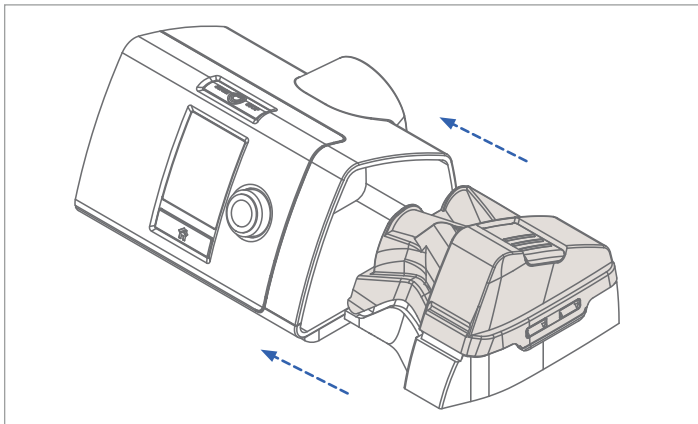
- 2 Remove the reservoir from the sleep equipment machine.



- 3 Remove the **SoClean Adapter** from the reservoir base by opening the **SoClean Adapter** fully, pushing one side of the hinge tab outward, and freeing the **SoClean Adapter** from the base.



- 4 Install the **Original Lid** and **Gasket** to the reservoir base by inserting the hinge pins into the notches on the reservoir base. If needed, insert one hinge pin at a time and gently flex the lid to snap it in place.



- 5 Close the **Original Lid** and install the reservoir back into your sleep equipment device.

NOTE: SoClean is not responsible for damage to your sleep equipment machine or personal property resulting from equipment mishandling.

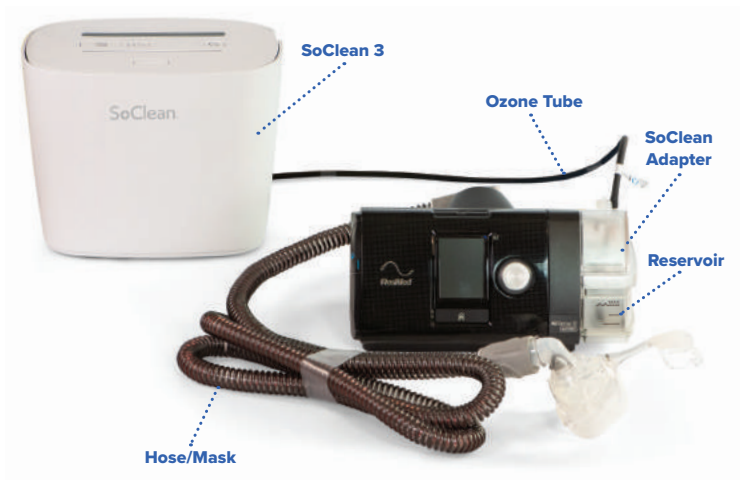


Using Your SoClean

The below diagram shows a SoClean 3 connected.
The SoClean 2 setup will look similar but include the check valve.

Once you have completed the setup steps, you are ready to begin the daily maintenance of your sleep equipment accessories with your SoClean.

SoClean 3 Connected to ResMed Airsense 10



Safety Checklist Before Using Your SoClean

- Sleep equipment accessories are washed in sink before first use
- SoClean Adapter is installed on sleep equipment machine
- Ozone tube is connected to sleep equipment machine
- Sleep equipment hose is still connected to sleep equipment machine and mask
- SoClean is powered on
- Filter is installed



SoClean, Inc.
12 Vose Farm Road | Peterborough, NH 03458 USA

Issue Date: 08/2022