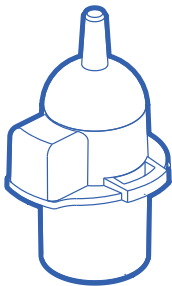


SoClean®

ADAPTER FOR HOSE AND MASK MAINTENANCE

Compatible With Most Sleep Equipment Hoses



INSTRUCTIONS FOR USE

If you need help connecting your adapter, contact SoClean.

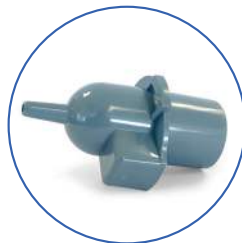
For SoClean operation information, please see the User Manual provided with the device.

An electronic version of the User Manual is available at SoClean.com or you may contact Customer Care.

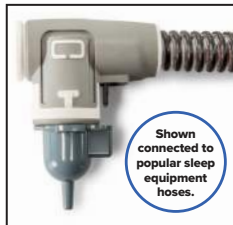
IMPORTANT: This adapter needs to fit snugly. If the fit appears too tight, do not force adapter into tubing. If the adapter is loose, call Customer Care at 866-501-3705.

866-501-3705 | SoClean.com
info@soclean.com

Installation Instructions



SoClean Adapter



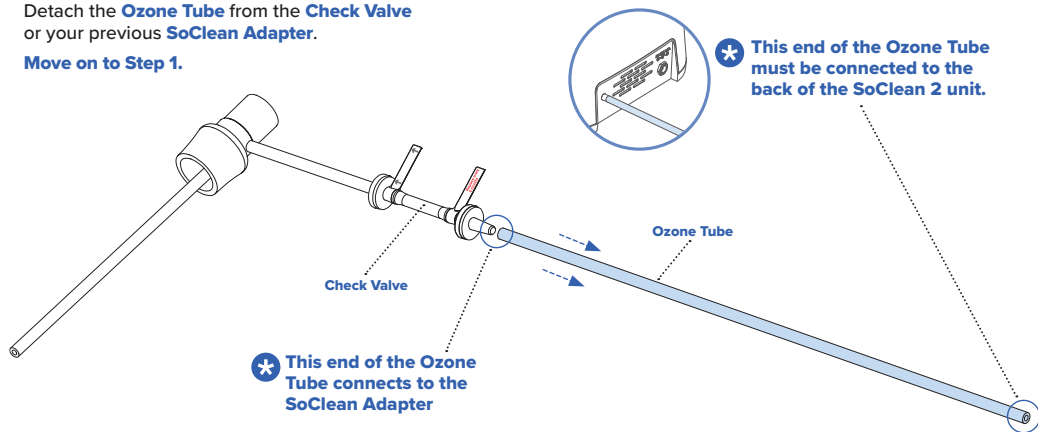
If you are a **SoClean 3** user, move on to **Step 1**.

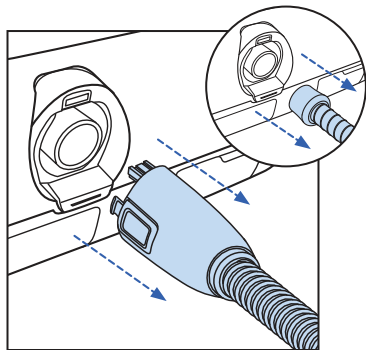


If you are a **SoClean 2** user:

Detach the **Ozone Tube** from the **Check Valve** or your previous **SoClean Adapter**.

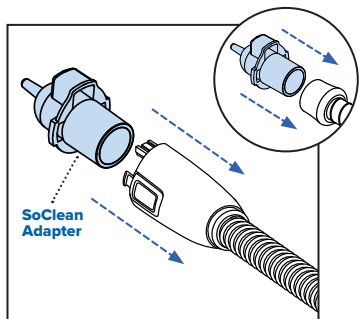
Move on to Step 1.





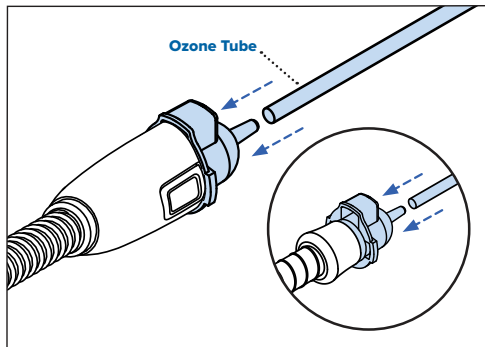
1

Remove the hose from your sleep equipment.



2

Install the **SoClean Adapter** onto the hose.



3

Connect **Ozone Tube** to the **SoClean Adapter**. You are now ready to use your SoClean.

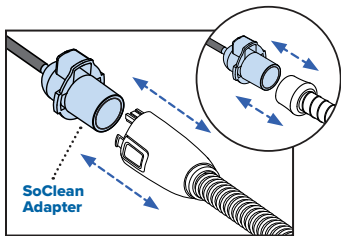
Place mask into the **SoClean Chamber** and run the maintenance cycle.



WARNING: The **Ozone Tube** must always be connected to the **SoClean Adapter** and the back of the SoClean unit when operating the SoClean.

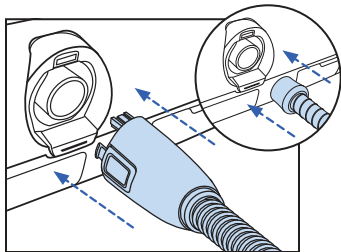
Reconnecting Your Sleep Equipment

Once the **Maintenance Cycle** is complete and you are ready to use your sleep equipment hose and mask, wait a minimum of 30 minutes between completion of the Cycle and use of the sleep equipment mask and hose.



1

Remove the **SoClean Adapter** from your hose.



2

Reconnect your hose to the sleep equipment hose port.

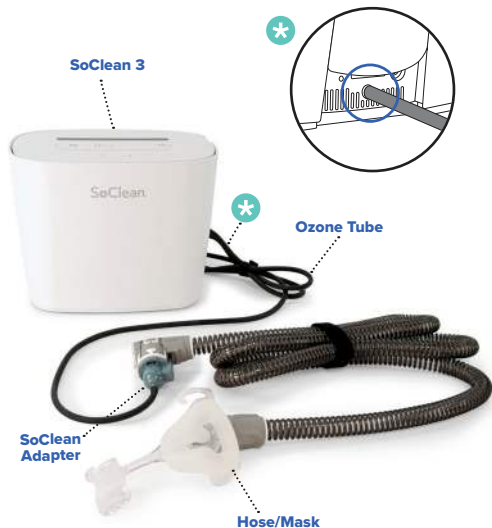
Once you have completed the setup steps, you are ready to begin the daily maintenance of your sleep equipment hose and mask with your SoClean.

Safety Checklist Before Using Your SoClean

- Sleep equipment hose and mask are washed in sink and dried before first use
- SoClean Adapter is installed on sleep equipment hose
- Ozone Tube is connected to the back of the SoClean unit and the SoClean Adapter
- Sleep equipment hose is still connected to the mask
- SoClean is powered on
- Filter is installed

Using Your SoClean

The below images show both SoClean devices connected.





SoClean Inc.

1 Vose Farm Road | Peterborough, NH 03458
866-501-3705

SoClean.com/patents