

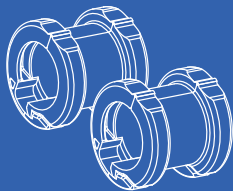
SoClean®

Hose Sleeve

INSTRUCTIONS

Includes 2 - Hose Sleeves

[For use with 12mm hose]



If you need help connecting
your Hose Sleeve, contact SoClean.

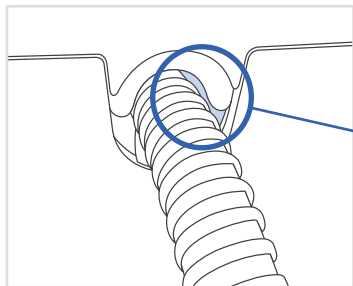
866-501-3705 | SoClean.com | info@soclean.com

When to use the Hose Sleeve:

**The Hose Sleeve is required if you use a 12mm hose.
It is not compatible with 15mm or larger diameter hoses.**

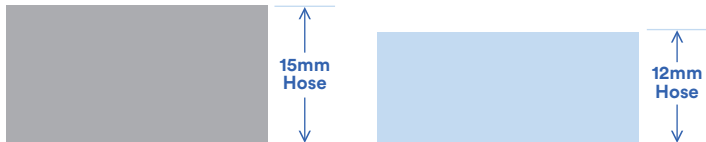
An extra sleeve is included in the event of sleeve breakage. You will only use one Hose Sleeve at a time.

The SoClean requires a snug fit around the hose when placed into the hose slot and the lid is closed. If there is space around the hose and this is not achieved, the SoClean will not operate.



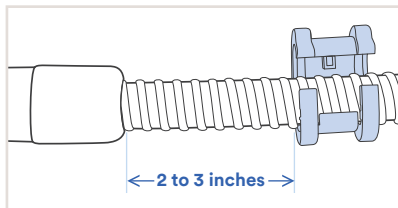
If there is visible space around the hose when placed in the hose slot, you may be using a 12mm hose and require the Hose Sleeve be installed.

Determining your hose size:



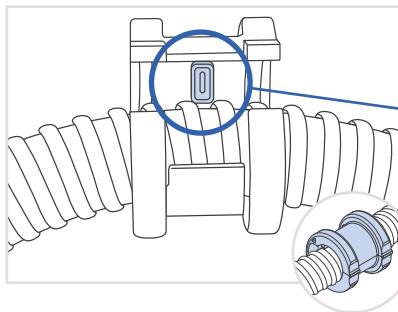
If you determine that you have a 15mm hose and the SoClean is still not operating, contact Customer Care at 866-501-3705 for assistance.

How to use the Hose Sleeve:



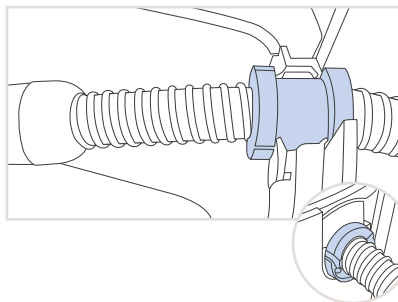
1

Position the Hose Sleeve 2 to 3 inches from the connector.



2

Position the hose on the Nub side of the Hose Sleeve. Slide the hose until the Sleeve “clicks” into place between two of the hose ribs and close the Sleeve.



3

Line up the Hose Sleeve with the gasket, place it in the Hose Slot and shut the lid.



SoClean, Inc.
12 Vose Farm Road | Peterborough, NH 03458 USA

Issue Date: 08/2021